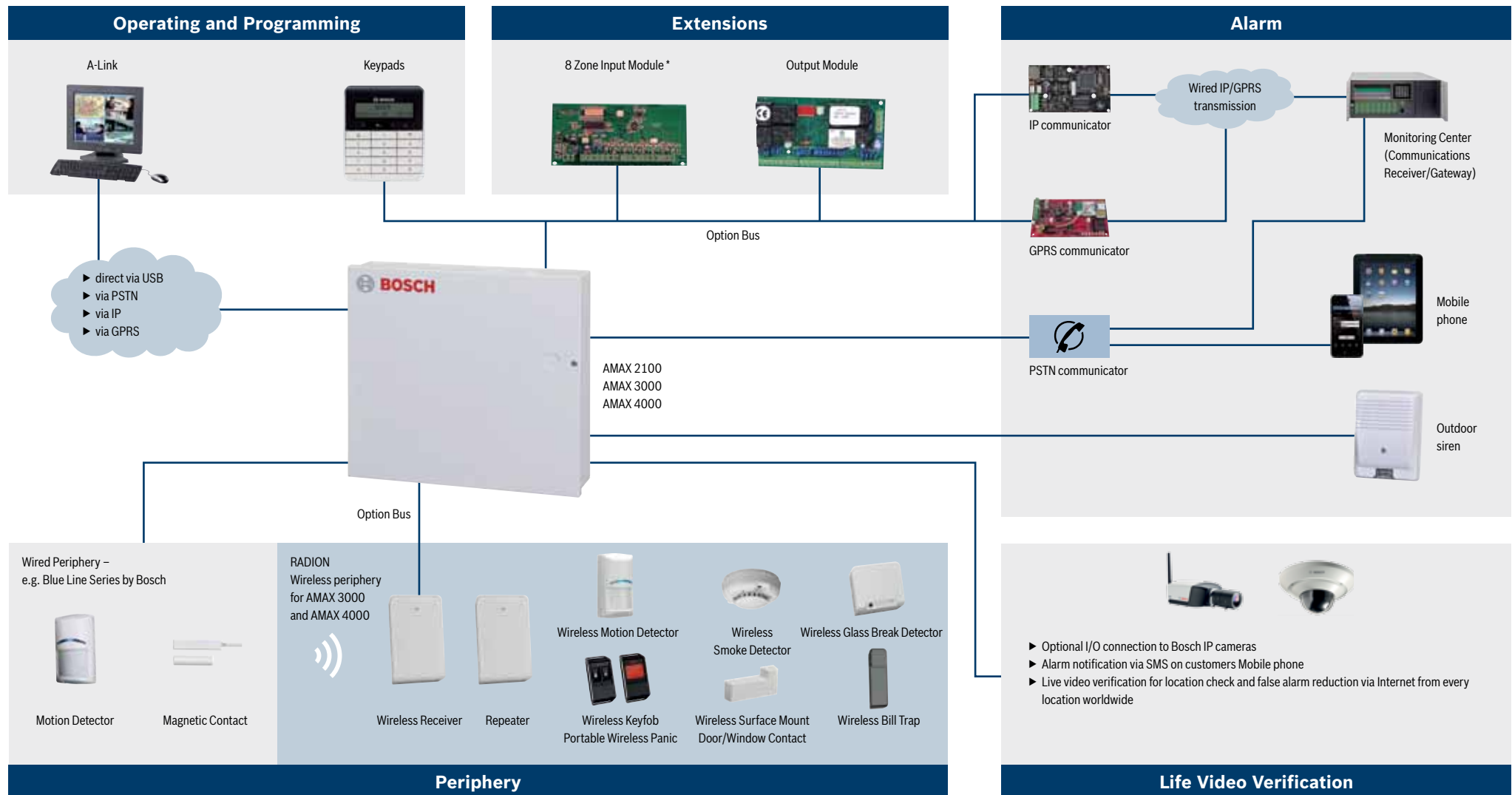


# AMAX Intrusion Alarm Systems

## AMAX family at a glance




\* AMAX 3000, AMAX 4000

# AMAX Intrusion Alarm Systems


## System overview

### Panels



|                           | AMAX 2100  |              | AMAX 3000  |              | AMAX 4000  |              |
|---------------------------|--|--------------|--|--------------|--|--------------|
| Type Number               | ICP-AMAX2-P2/P3-EN   | ICP-AMAX2-P1 | ICP-AMAX3-P2/P3-EN   | ICP-AMAX3-P1 | ICP-AMAX4-P2/P3-EN   | ICP-AMAX4-P1 |
| Approval                  | EN 50131-3 Grade 2   | -            | EN 50131-3 Grade 2   | -            | EN 50131-3 Grade 2   | -            |
| Onboard zones             | 8  |              | 8  |              | 16   |              |
| Max. zones                | 8  |              | 32   |              | 64   |              |
| Max. wireless zones       | 0  |              | 32   |              | 64   |              |
| Partitions                | 2  |              | 8  |              | 16   |              |
| Keypads                   | 4  |              | 8  |              | 16   |              |
| Number of users           | 64   |              | 64   |              | 64   |              |
| Outputs (onboard/maximum) | 2/10   |              | 2/18   |              | 4/20   |              |
| Event history log         | 256  |              | 256  |              | 256  |              |
| Alarm communication       | PSTN onboard, optional 2 IP module or 1 IP + 1 GPRS module |              | PSTN onboard, optional 2 IP module or 1 IP + 1 GPRS module |              | PSTN onboard, optional 2 IP module or 1 IP + 1 GPRS module |              |

### Keypads









|             | AMAX keypad 2000 L8   | AMAX keypad 2000 D8   | AMAX keypad 3000 L8    | AMAX keypad 3000 L16    | AMAX keypad 4000 T                                 |
|-------------|-----------------------|-----------------------|------------------------|-------------------------|--|
| Type Number | IUI-AMAX-LED8         | IUI-AMAX-LCD8         | IUI-AMAX3-LED8         | IUI-AMAX3-LED16         | IUI-AMAX4-TEXT                                     |
| Approval    | EN 50131-3 Grade 2    | EN 50131-3 Grade 2    | EN 50131-3 Grade 2     | EN 50131-3 Grade 2      | EN 50131-3 Grade 2                                 |
| Description | Eight-zone LED keypad | Eight-zone LCD keypad | LED keypad with 8 LEDs | LED keypad with 16 LEDs | LCD text keypad, two lines with each 18 characters |

# AMAX Intrusion Alarm Systems

## System overview



### Extensions/Accessories

|             |  |  |  |  |  |  |
|-------------|---|---|---|---|---|---|
|             | 8 Zone Input Module   | Output Module   | IP Network Interface Module   | GPRS/GSM Communicator   | Programming Key   | AMAX Lock Set   |
| Type Number | DX2010  | DX3010  | B426  | ITS-DX4020-G  | ICP-EZPK  | ICP-AMAX-LS   |
| Description | 8 Double end of line inputs only for AMAX panel 3000/4000                         | 8 relay outputs   | Ethernet / IP communicator  | GPRS / GSM communicator   | For panel programming   | Lock set for panel enclosure  |

### Motion Detectors

|                 |  |  |  |  |  |  |
|-----------------|---|---|---|---|---|---|
|                 | Blue Line Gen2 PIR  | Blue Line Gen2 PIR  | Blue Line Gen2 Quad PIR   | Blue Line Gen2 PIR + MW   | Blue Line Gen2 PIR + MW   | Blue Line Gen2 PIR + MW   |
| Type Number     | ISC-BPR2-W12  | ISC-BPR2-WP12   | ISC-BPQ2-W12  | ISC-BDL2-WP6  | ISC-BDL2-W12  | ISC-BDL2-WP12   |
| Approval        | EN 50131-2-2 Grade 2  | EN 50131-2-2 Grade 2  | EN 50131-2-2 Grade 2  | EN 50131-2-4 Grade 2  | EN 50131-2-4 Grade 2  | EN 50131-2-4 Grade 2  |
| Detection Range | 12m   | 12m   | 12m   | 6m  | 12m   | 12 m  |
| Pet friendly    | No  | Yes (on/off selectable), 20 kg  | No  | Yes (on/off selectable), 45 kg  | No  | Yes (on/off selectable), 45 kg  |








### Magnetic Contacts




|             |  |  |
|-------------|---|---|
|             | Magnetic Contacts   | Magnetic Contacts   |
| Type Number | ISC-PMC-SF2S  | ISC-PMC-S2S   |
| Approval    | EN 50131-2-6 Grade 2  | EN 50131-2-6 Grade 2  |
| Mounting    | Flush and surface mountable (incl. enclosure for surface mount)                     | Surface mount variant with 4 screw terminals and tamper switch                      |
| Connection  | 4-coloured strands  | Contact without cable   |

# AMAX Intrusion Alarm Systems

## System overview






### Wireless sensors and devices (RADION Technology)

|             |  Receiver |  Repeater |  PIR |  PIR + MW |  PIR Curtain |  Smoke Detector |  Glassbreak Detector |
|-------------|--|--|---|--|---|--|---|
| Type Number | RFRC-OPT   | RFRP   | RFPR-12   | RFDL-11  | RFPR-C12  | RFSM   | RFGB  |
| Approval    | EN 50131-3 Grade 2<br>EN 50131-5-3 Grade 2   | EN 50131-5-3 Grade 2   | EN 50131-5-3 Grade 2<br>EN 50131-2-2 Grade 2  | EN 50131-5-3 Grade 2<br>EN 50131-2-4 Grade 2   | EN 50131-5-3 Grade 2<br>EN 50131-2-2 Grade 2  | EN 14604   | EN 50131-5-3 Grade 2<br>EN 50131-2-7 Grade 2  |
| Description | Option Bus Receiver  | Improve range and reliability by adding up to 8 Repeaters                                  | Detection Range 12m<br>Pet friendly, 12kg   | Detection Range 11m<br>Pet friendly, 45kg  | Detection Range 12x2m<br>Pet friendly, 12kg   | Optical and heat detector  | Acoustic (audio) based detector   |

|             |  Universal TX |  Door Window Contact |  Recessed Door Window Contact |
|-------------|--|---|--|
| Type Number | RFUN   | RFDW-SM   | RFDW-RM  |
| Approval    | EN 50131-5-3 Grade 2<br>EN 50131-2-6 Grade 2   | EN 50131-5-3 Grade 2<br>EN 50131-2-6 Grade 2  | EN 50131-5-3 Grade 2<br>EN 50131-2-6 Grade 2   |
| Mounting    | Universal Transmitters<br>Both alarm inputs may be enabled/disabled independently              | Surface Mount Door Window contacts  | Recessed Door Window contacts  |

#### RADION

- ▶ Expanded portfolio on wireless sensors and devices
- ▶ Improved RF performance to increase wireless range
- ▶ Multiple repeaters per system to enhance reliability and range
- ▶ Improved diagnostic functions with remote programming software and panel keypads
- ▶ Simplified enrollment of wireless devices
- ▶ Allows multiple methods to enroll devices by entering RFID at panel keypad, through remote programming software, or by auto-enrolling devices.

|             |  Four Button Keyfob |  Two Button Keyfob |  One Button Panic Keyfob |  Two Button Panic Keyfob |  Bill Trap |
|-------------|--|---|---|---|---|
| Type Number | RFKF-FB  | RFKF-TB   | RFPB-SB   | RFPB-TB   | RFBT  |
| Approval    | EN 50131-5-3 Grade 2   | EN 50131-5-3 Grade 2  | -   | -   | -   |
| Description | Arm and disarm system<br>Two custom function buttons<br>Panic/Duress feature                           | Arm and disarm your system<br>Panic/Duress feature  | Portable, keyfob sized  | Portable, keyfob sized<br>Two button version to reduce false activations                                      | Sends panic alarm when last bill is removed   |